

Luminaires with higher degree of protection

LUMEX OR

Quickinfo

LUMINAIRE

Wall and surface mounting
powder-coated steel with PMMA-pipe
IP65, IK10



LED

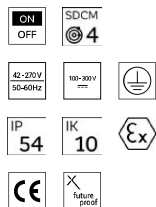
4,000K
CRI>80
Initial MacAdam 4 SDCM
100,000h L80

LIGHT DISTRIBUTION



ELECTRIC

ON-OFF switchable



Description

The LUMEX OR is a flameproof explosion-proof luminaire designed for safe and efficient lighting of walls and excavations in underground mining facilities. Equipped with a glare-reducing diffusing screen, it provides uniform and comfortable illumination even in hazardous methane and coal dust atmospheres.

Available in 12 W and 24 W LED versions, with wide voltage options covering both AC and DC mining supply systems, the OR combines high luminous flux with excellent energy efficiency. The impact-resistant plastic lampshade and flameproof enclosure ensure durability and safety, while the lightweight design and simple mounting brackets allow easy handling and installation.

With its optimized beam angle, robust construction, and low maintenance requirements, the LUMEX OR is a reliable choice for demanding underground environments.

Types

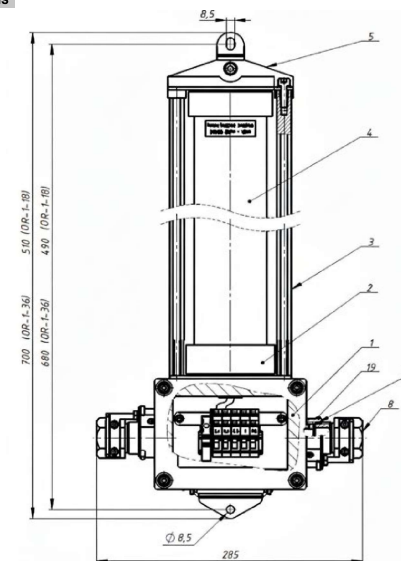
ARTICLE NUMBER	POWER	LUMINOUS FLUX	COLOUR TEMP.	WEIGHT
EPOR015.11422	15W	1,500lm	4000K	8.7kg
EPOR030.11422	30W	3,000lm		8.7kg

Light distribution



OPAL 100°

Dimensions



EXPLOSION PROTECTION



I M2 Ex db op is I Mb

Emergency function available on request (With IM1 module)

Voltage range: 40V-270V AC/DC

