

Luminaires with higher degree of protection

LUMEX ML

Quickinfo

LUMINAIRE

Wall, ceiling surface mounting
glass fibre reinforced polyester (GRP)
with polycarbonate lens
IP66/67, IK10
signal yellow (RAL1003)



LED

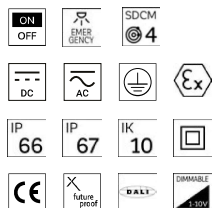
4,000K, CRI>80
Initial MacAdam 4 SDCM
75,000h L80

LIGHT DISTRIBUTION



ELECTRIC

ON-OFF switchable+ EMERGENCY
Various versions covering both AC and
DC operation and a wide voltage range



Description

The LUMEX ML is a compact explosion proof LED luminaire for Zone 1/21 and Zone 2/22 hazardous areas. With power ratings from 23 W to 80 W and housing lengths of 600 mm or 1500 mm, it provides up to 10,000 lm of uniform, neutral white light.

Three light distributions – Standard, Batwing (BW), and Narrow (P) – ensure flexible illumination for galleries, corridors, and work areas. The robust GRP housing with polycarbonate diffuser is impact-resistant, lightweight, and easy to install.

Optional Zone 2 versions offer dimming (DALI/1–10 V) and TB lenses, while Insulation Class II and the address module (central emergency battery version) provide additional versatility for safety-critical applications.



Types

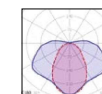
ARTICLE NUMBER	POWER	LUMINOUS FLUX	COLOUR TEMP.	WEIGHT
EPeL023.1142Y.600.ZX	23W	3335lm	3000K optional 4000K 5000K optional 6500K optional	1.8kg
EPeL045.1142Y.1200.ZX	45W	6525lm		3.2kg
EPeL070.1142Y.1200.Z2	70W	10150lm		3.9kg
EPeL056.1142Y.1500.ZX	56W	8120lm		
EPeL080.1142Y.1500.Z2	80W	11600lm		2.5kg
EPeL023.8142Y.600.ZX	23W	3335lm		3.9kg
EPeL045.8142Y.1200.ZX	45W	6525lm		
EPeL070.8142Y.1200.Z2	70W	10150lm		4.6kg
EPeL056.8142Y.1500.Z2	56W	8120lm		
EPeL080.8142Y.1500.Z2	80W	11600lm		



Dimensions

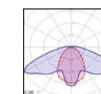
600 ⇔ 660x145x101mm
1200 ⇔ 1277x145x101mm
1500 ⇔ 1573x145x101mm

Light distribution



OPAL 160°

Light distribution



WIDE BATWING


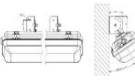

Optional

Optics – wire through – aluminum reflector – cable glands and entry – etc.


Special Features

- High resistance to industrial corrosive environment
- Resistant to UV radiation

Accessories

DESCRIPTION	DESCRIPTION
	PM – Pipe mount (max. Ø50)
	AB – Adjustable angle bracket
	PH – Pipe holder

EXPLOSIVE PROTECTION

 II 2G Ex db eb mb IIC T6/T5 Gb (Zone 1)
II 3G Ex ec IIC T6/T5 Gc (Zone 2)
II 2D Ex tb IIIC T85°C Db (Zone 21/22)

Anti-glare cover grooved on the inside, lens-shaped, made of PC polycarbonate plastic, flammability class UL94 V-2.

Reinforced construction body made of glass fibre reinforced polyester (GRP), flammability class UL94 HB.

Note: For outdoor use, it has to be protected by a roof.